

○ Order
○ Inquiry

SL 67

Position
____ / ____

Required delivery week: _____

1. Number of units
_____ pieces

2. Stacking
 Inside
 Outside

3. Panel
 Top hung
 Floor mounted (standard)

4. Number of panels (inside view)
_____ left direction
_____ right direction

5. Glass
 with: _____
 prepared for: _____ mm

6. Wood type
 Nordic pine
 Spruce

wood from a sustainable forest management system

7. Finish (according to SL colour chart)
wood final finish

Aluminium cladding

8. Colour of hardware
Floor track:
 E6 EV1 E6 C34
Hinge:
 E6 EV1 E6 C34

Client: _____

Tel: _____ Fax: _____




Contact person: _____

Ref: _____

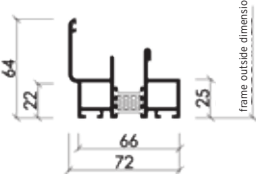
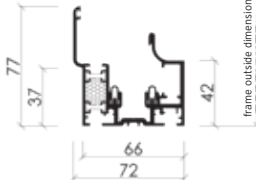
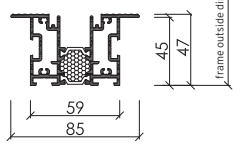
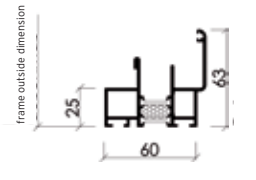
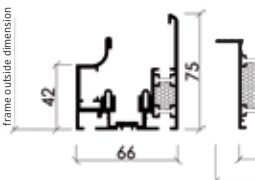
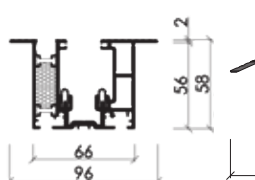
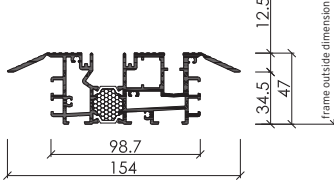
Quotation number: _____

Delivery address: (if different to client)

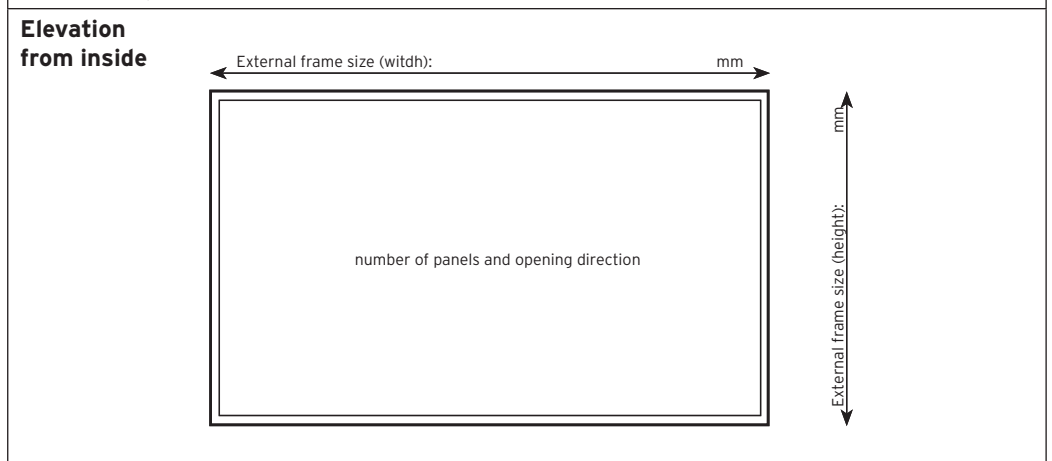
9. Hardware types ATTENTION! For **parapet installations:**
Handle height from frame underside _____ mm

<input type="radio"/> Flat handle on inside without lock (standard) 	<input type="radio"/> Flat handle inside / outside with profile cylinder (only possible with pair panel) 	<input type="radio"/> Lever handle inside / outside with key cylinder (only possible on first opening swing panels) 
--	---	--

10. Floor track options

<input type="radio"/> 5-90-03-x Inside opening  Drainage <input type="radio"/> yes <input type="radio"/> no	<input type="radio"/> 5-90-04-x Inside opening  Drainage <input type="radio"/> yes <input type="radio"/> no	<input type="radio"/> 5-60-23-x  No factory installed drainage	
<input type="radio"/> 5-66-06-x Outside opening  No factory installed drainage	<input type="radio"/> 5-66-07-x Outside opening  No factory installed drainage	<input type="radio"/> 5-66-12-x  No factory installed drainage	<input type="radio"/> 5-0-1001-x  No factory installed drainage

11. Drawing



Outside

Plan view _____

Inside

panel show in open position (stacking position)

01/2011- Subject to technical changes without notice