

**SL 60-HSW**

**Position**  
\_\_\_\_\_ / \_\_\_\_\_

**Required delivery week:** \_\_\_\_\_

**1. Number of units**  
\_\_\_\_\_ pieces

**2. Number of panels (view from inside)**  
\_\_\_\_\_ left direction  
\_\_\_\_\_ right direction

**3. Glass**  
 with: \_\_\_\_\_  
 prepared for: \_\_\_\_\_ mm

**4. Finish**  
 profile + corner connector at panel  
**RAL** \_\_\_\_\_  
 profile  
**Eloxal** \_\_\_\_\_  
+ corner connector  
**RAL** \_\_\_\_\_


**5. Plan view**  
Please provide a detailed plan view with all necessary references to ensure correct sizes for the unit.  
  
Please indicate the required passdoors, hardware and opening direction of the doors.  
Please indicate the stacking bays.


Remarks


Client: \_\_\_\_\_  
Tel: \_\_\_\_\_  
Contact person \_\_\_\_\_


Ref: \_\_\_\_\_  
Quotation number: \_\_\_\_\_  
Delivery address: (if different to client) \_\_\_\_\_  
Fax: \_\_\_\_\_

**6. Hardware choice: Solarlux Design handle stainless steel**

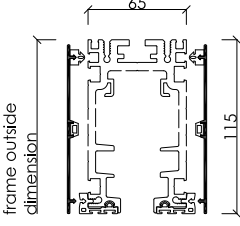
SL flat handle on inside without lock (standard) 

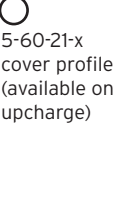
SL lever handle inside + outside with key cylinder (only possible on first opening swing door) 

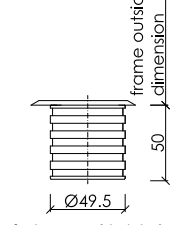
Incorporated pass door  
SL locking mechanism, 2 dead bold locks and door closer with SL pull handle TG inside + outside (standard) 

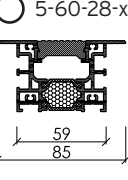
pull handle options:  
SL pull handle TG  
 one side only  
SL pull bar  
 450mm (2 fixing points)  
 900mm (2 fixing points)  
 1800mm (3 fixing points) 

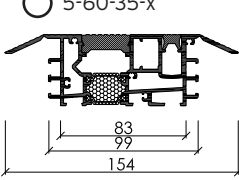
**7. Please choose profile variants**

running track profile without cover (standard) 

5-60-21-x cover profile (available on upcharge) 

15-60-333-x adjustable floor socket (available on upcharge) 

5-60-28-x   
no factory provided drainage

5-60-35-x   
no factory provided drainage

**8. Drawing**

**Elevation from inside**

External frame size (with): \_\_\_\_\_ mm

External frame size (height): \_\_\_\_\_ mm

number of panels and opening direction

**Plan view**

Outside

Inside

panel shown in open position (stacking position)